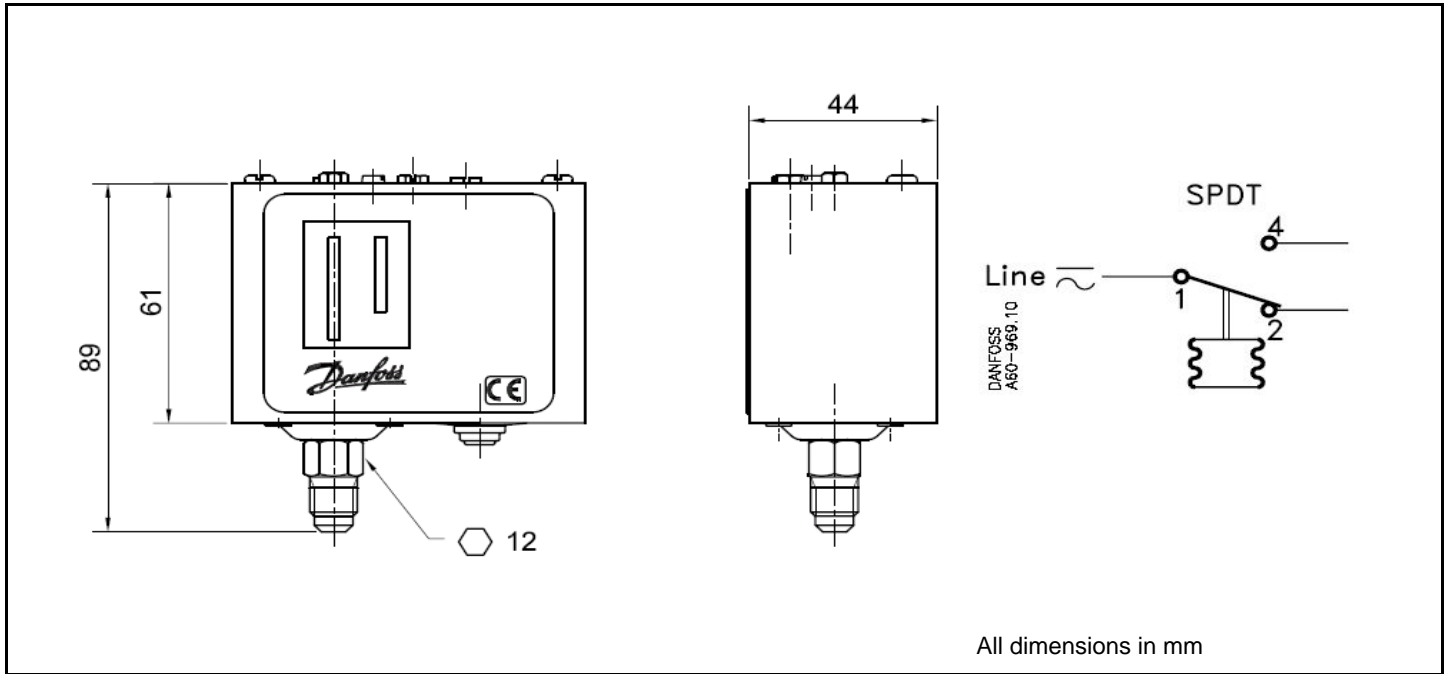


Customer:

Pressure controls type: **KP2**
 Customer code number:
 Danfoss code number: **060-131866**
 Packing format: **Multipack, 36 pcs.**



Technical data

Type	KP 2
Pressure range	0,20 - 3,50 bars
Differential	0,30 - 1,00 bars
Reset function	Automatic
Max. working pressure	10,00 bars
Pressure connection	G 1/4 A - pipe thread
Contact function	SPDT
Contact load	AC 15: 10 A/ 400 V AC 1: 16 A/ 400 V AC 3: 16 A/ 400 V DC 13: 12 W/ 220 V LR: 112 A/ 400 V
Permissible ambient temp.	-25°C to +65°C
Vibration resistance	4g
Enclosure	IP 30

Approvals CE marked in accordance with EN 60947-4,-5
 UL listed, file E31024 acc. to UL873

App.: J.Niemirka	Corr.:	Valid serial no.: 0211-ACBG-060-131866
Date: 01.2010	v.00	Discontinued serial no.:

Danfoss can accept no responsibility for possible errors in catalogues, brochures and other printed material. Danfoss reserves the right to alter its products without notice. This also applies to products already on order provided that such alterations can be made without subsequential changes being necessary in specifications already agreed. All trademarks in this material are property of the respective companies. Danfoss and the Danfoss logotype are trademarks of Danfoss A/S. All rights reserved.