

Thermostatically operated  
cooling water valves  
Type AVTA

Type AVTA

Contents

	Page
Introduction .....	3
Technical data .....	3
AVTA for neutral media .....	4
Ordering .....	5
Dimensions and weights .....	6
AVTA DZR for slightly aggressive media .....	7
Ordering .....	8
Dimensions .....	9
AVTA SS for aggressive media .....	10
Ordering .....	11
Dimensions .....	11
Installation .....	12
Sensor installation .....	12
Spare parts and accessories .....	13
Sizing .....	14
Diagrams .....	15

Type AVTA

Introduction

Thermostatically operated valves are used for the infinite, proportional regulation of flow quantity, depending on the setting and the sensor temperature.

The Danfoss range of thermostatic valves includes a series of industrial products for both refrigeration and heating regulation. The valves are self-acting, i.e. they operate without the supply of auxiliary energy such as electricity or compressed air.

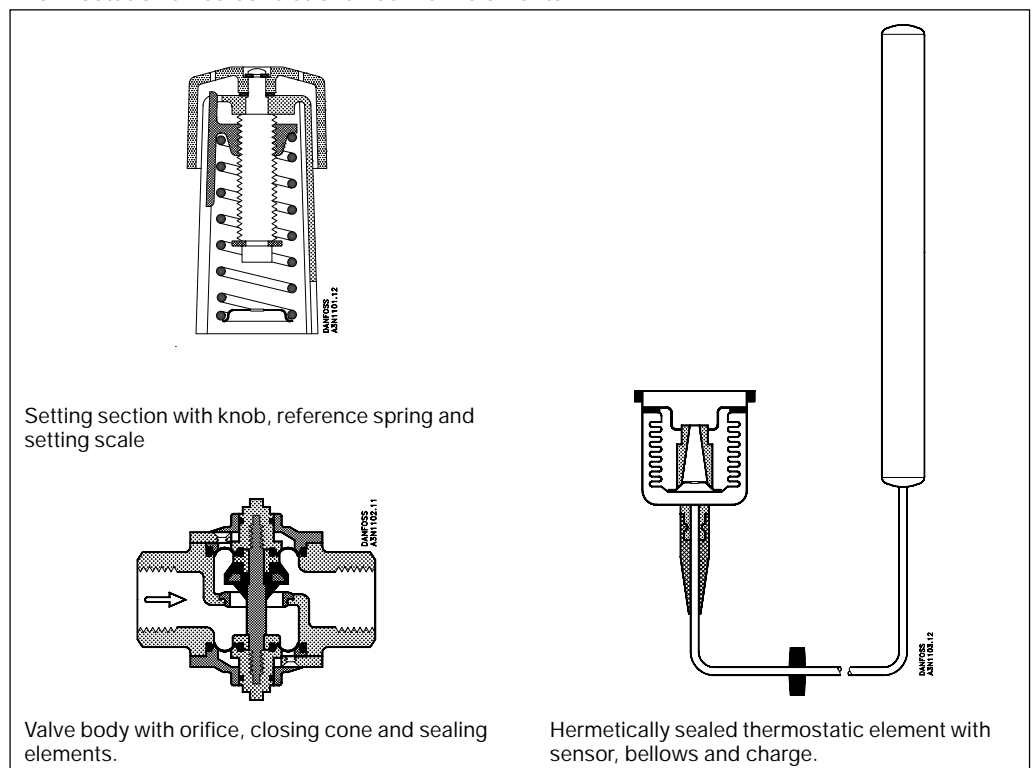
Because the valves constantly match flow quantity to demand, they are especially suitable for temperature regulation. The required temperature is maintained constant with no overconsumption of:  
 - cooling water in cooling systems,  
 - hot water or steam in heating systems.  
 Thus operating economy is always reasonable.

For further information on thermostatically operated valves for heating regulation (AVTB), please contact Danfoss.

Technical data

General

Thermostatic valves consist of three main elements:



Function

When the three elements are built together, the valve is installed and the sensor is located at the point where the temperature is to be regulated, the function sequence is as follows:

1. A temperature-dependent pressure - charge vapour pressure - builds up in the sensor.
2. This pressure is transferred to the valve via the capillary tube and bellows and acts as an opening or closing force.
3. The knob on the setting section and the spring exert a force that acts counter to the bellows.
4. When balance is created between the two opposing forces, the valve spindle remains in its position.
5. If the sensor temperature - or the setting - is changed, the point of balance becomes displaced and the valve spindle moves until balance is re-established, or the valve is fully open or closed.
6. On sensor temperature change, the flow quantity change is approximately proportional.

The illustrations show an AVTA cooling water valve, but the function principle applies to all types of thermostatic valves.

Type AVTA

Application



**AVTA for neutral media**

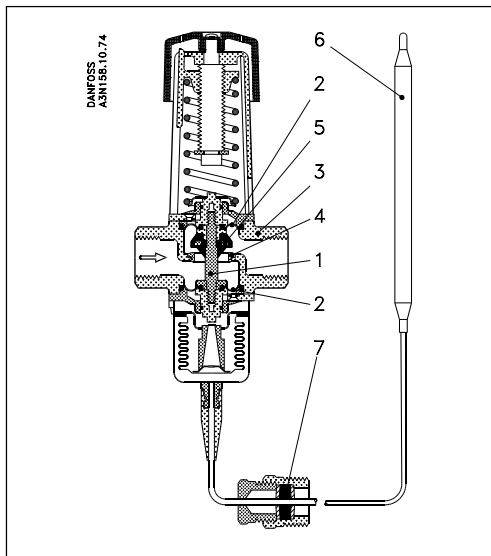
Self-acting AVTA cooling water valves are widely used for temperature regulation in many different machines and installations where cooling is a requirement. AVTA always opens to admit flow on rising sensor temperature. The valve can be installed either in the cooling water flow line or return line.

Typical applications:

- Injection moulding machines
- Compressors
- Vacuum pumps
- Dry cleaning machines
- Distillation plant
- Printing machines
- Hydraulic systems
- Rollers/mills

AVTA with NPT connection, please contact Danfoss for North American data sheet.

Specifications and product overview



- Opens on rising sensor temperature
- Media temperature  $-25 \rightarrow +130^{\circ}\text{C}$
- Differential pressure  $0 \rightarrow 10$  bar
- Max. working pressure 16 bar
- Max. test pressure 25 bar
- Max. pressure on sensor 25 bar
- The valves are pressure-relieved, i.e. the degree of opening is not affected by differential pressure  $\Delta p$  (pressure drop).
- The regulation range is defined for the point at which the valve begins to open.

AVTA valves are available with three different types of charge (see pages 4 and 5):

- A: Adsorption charge
- B: Mass charge
- C: Universal charge

Materials - parts in contact with the medium, AVTA

No.	Description	Material
1	Spindle	Brass W.no. 2.0401
2	Diaphragms	Rubber - ethylene - propylene (EPDM)
3	Valve body and other metal parts	Forged brass W.no. 2.0402
4	Valve cone	Nitrile rubber (NBR)
5	Valve seat	Stainless steel W.no. 1.4305 / AISI 303
6	Sensor	Copper W.no. 2.0090
7	Capillary tube gland	Nitrile rubber (NBR) Brass W.no. 2.0321 / 2.0401

Type AVTA

**Ordering AVTA with adsorption charge**

The charge consists of active carbon and CO<sub>2</sub> which is adsorbed on falling sensor temperature and thereby produce pressure changes in the element.

*Special characteristics*

- Wide regulating range
- Can be installed in any position as far as orientation and - temperature are concerned
- Withstands up to +130°C sensor temperature
- Small sensor dimensions - Ø 9,5 × 160 mm
- Max. pressure on sensor 25 bar

Connection	Regulating range	k <sub>v</sub> value (m <sup>3</sup> /h at Δp = 1 bar)	Capillary tube length [m]	Type	Code no. <sup>1)</sup>
G 3/8	+10 → +80°C	1.4	2.3	AVTA 10	003N1144
G 1/2		1.9		AVTA 15	003N0107
G 3/4		3.4		AVTA 20	003N0108
G 1		5.5		AVTA 25	003N0109

<sup>1)</sup> Code no. covers complete valve incl. capillary tube gland.

Immersion sensors, see "Spare parts and accessories", page 13.

**Ordering AVTA with universal charge**

The charge is liquid/gas where the liquid surface (regulating point) is always inside the sensor. Which charge medium is used depends on the temperature range.

*Special characteristics*

- Sensor dimensions Ø 18 × 210 mm
- Sensor can be installed colder or warmer than the valve
- Sensors must be orientated as shown in the sketch on page 12
- Max. pressure on sensor 25 bar

Regulation range 0 → +30°C, max. sensor temperature +57°C

Connection	k <sub>v</sub> value (m <sup>3</sup> /h at Δp = 1 bar)	Capillary tube length	Type	Code no. <sup>1)</sup>
G 3/8	1.4	2 m	AVTA 10	003N1132
G 1/2	1.9		AVTA 15	003N2132
G 3/4	3.4		AVTA 20	003N3132
G 1	5.5		AVTA 25	003N4132

<sup>1)</sup> Code no. covers complete valve incl. capillary tube gland.

Regulation range 25 → +65°C, max. sensor temperature +90°C

Connection	k <sub>v</sub> value (m <sup>3</sup> /h at Δp = 1 bar)	Capillary tube length	Type	Code no. <sup>1)</sup>
G 3/8	1.4	2 m	AVTA 10	003N1162
G 1/2	1.9	2 m	AVTA 15	003N2162
		2 m (armoured)		003N0041
G 3/4	3.4	2 m	AVTA 20	003N3162
		5 m		003N3165
		2 m (armoured)		003N0031
G 1	5.5	2 m	AVTA 25	003N4162
		2 m (armoured)		003N0032
		5 m		003N4165

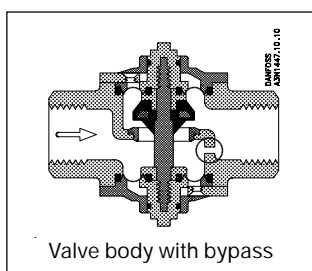
<sup>1)</sup> Code no. covers complete valve incl. capillary tube gland.

Regulation range +50 → +90°C, max. sensor temperature +125°C

Connection	k <sub>v</sub> value (m <sup>3</sup> /h at Δp = 1 bar)	Capillary tube length [m]	Type	Code no. <sup>1)</sup>
G 3/8	1.4	2	AVTA 10	003N1182
G 1/2	1.9		AVTA 15	003N2182
G 3/4	3.4		AVTA 20	003N3182
G 1	5.5	3	AVTA 25	003N4182
				003N4183 <sup>2)</sup>

<sup>1)</sup> Code no. covers complete valve incl. capillary tube gland.

<sup>2)</sup> A Ø 2 mm bypass is drilled in the valve body.



Immersion sensors, see "Spare parts and accessories", page 13.

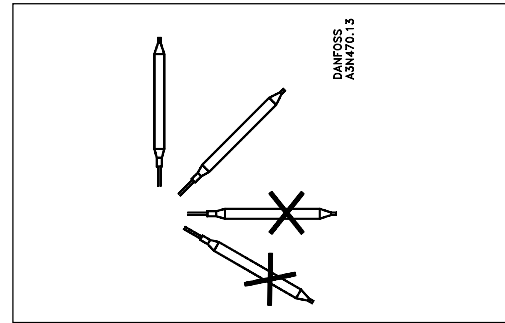
Type AVTA

Ordering  
AVTA with mass charge

The charge is liquid/gas. Because of the volumetric conditions the liquid surface (regulation point) can be either in the sensor or the bellows, depending on the temperature conditions.

Special characteristics

- Small sensor dimensions (Ø 9.5 × 190 mm)
- Short time constant
- Sensor must always be installed warmer than the valve
- Max. pressure on sensor 25 bar



Regulation range 0 → +30°C  
Max. sensor temperature +57°C

Connection	$k_v$ value (m <sup>3</sup> /h at $\Delta p = 1$ bar)	Capillary tube length [m]	Type	Code no. <sup>1)</sup>
G 1/2	1.9	2	AVTA 15	003N0042
G 3/4	3.4		AVTA 20	003N0043

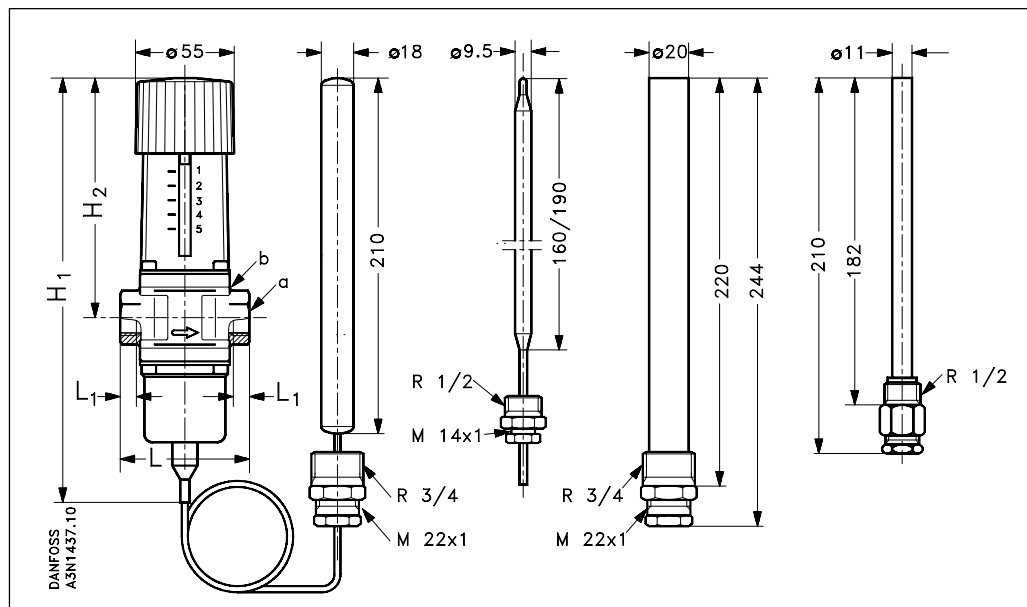
<sup>1)</sup> Code no. covers complete valve incl. capillary tube gland.

Regulation range +25 → +65°C  
Max. sensor temperature +90°C

Connection	$k_v$ value (m <sup>3</sup> /h at $\Delta p = 1$ bar)	Capillary tube length [m]	Type	Code no. <sup>1)</sup>
G 1/2	1.9	2	AVTA 15	003N0045
		2 (armoured)		003N0299
		5		003N0034
G 3/4	3.4	2	AVTA 20	003N0046
G 1	5.5		AVTA 25	003N0047

<sup>1)</sup> Code no. covers complete valve incl. capillary tube gland.

Dimensions and weights



Type	H <sub>1</sub> [mm]	H <sub>2</sub> [mm]	L [mm]	L <sub>1</sub> [mm]	a	b [mm]	Weight [kg]
AVTA 10	240	133	72	14	G 3/8	Ø 27	1.45
AVTA 15	240	133	72	14	G 1/2	Ø 27	1.45
AVTA 20	240	133	90	16	G 3/4	Ø 32	1.50
AVTA 25	240	138	95	19	G 1	Ø 41	1.65

Type AVTA

Application

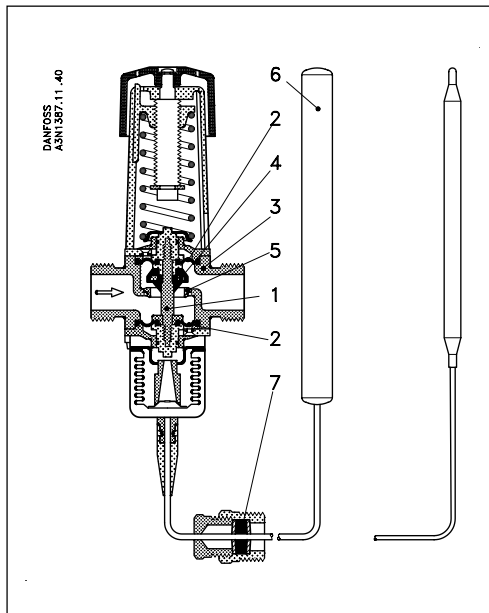


**AVTA DZR  
for slightly aggressive media**

A valve body in dezincification-resistant brass means that the valve can be used for neutral and slightly aggressive media. External thread gives easy valve installation and removal. Pressure stage PN 16; max. +130°C.

AVTA DZR valves are available with two different types of charge: Adsorption charge and universal charge. AVTA DZR can also be supplied with mass charge (please contact Danfoss).

Specifications and product overview



- Opens on rising sensor temperature
- Media temperature -25 → +130°C
- Differential pressure 0 → 10 bar
- Max. test pressure 25 bar
- Max. pressure on the sensor 25 bar
- The valves are pressure-relieved, i.e. the degree of opening is not affected by differential pressure  $\Delta p$  (pressure drop).

Materials - parts in contact with the medium

No.	Description	Material
1	Spindle	Dezincification-resistant brass CuZn36Pb2As / BS2874 / CZ132
2	Diaphragm	Rubber - ethylene - propylene (EPDM)
3	Valve body	Dezincification-resistant brass CuZn36Pb2As / BS2874 / CZ132
4	Valve cone	Nitrile rubber (NBR)
5	Valve seat	Stainless steel W.no. 1.4305 / AISI 303
6	Sensor	Copper W.no. 2.0090
7	Capillary tube gland	Nitrile rubber (NBR) Brass W.no. 2.0321 / 2.0401

Type AVTA

**AVTA DZR with adsorption charge**

Ordering:  
please contact Danfoss.

The charge consists of active carbon and CO<sub>2</sub> which is adsorbed on falling sensor temperature and thereby produce pressure changes in the element.

*Special characteristics*

- Wide regulating range
- Withstands up to +130°C sensor temperature
- Can be installed in any position as far as orientation and temperature are concerned
- Small sensor dimensions - Ø9,5 × 160 mm
- Max. pressure on sensor 25 bar

Connection	Regulation range [°C]	k <sub>v</sub> value (m <sup>3</sup> /h at Δp = 1 bar)	Capillary tube length [m]	Type	Code no. <sup>1)</sup>
G 3/4 A	+10→+80°C	1.9	2.3	AVTA 15	<b>Option</b>
G 1 A		3.4		AVTA 20	<b>Option</b>
G 1 1/4 A		5.5		AVTA 25	<b>Option</b>

<sup>1)</sup> Code no. covers complete valve incl. capillary tube gland.

Immersion sensors, see "Spare parts and accessories", page 13.

**AVTA DZR with universal charge**

Ordering:  
Please contact Danfoss.

*AVTA with universal charge*

The charge is liquid/gas where the liquid surface (regulation point) is always inside the sensor. The charge medium used depends on the temperature range.

*Special characteristics*

- Sensor dimensions Ø 18 × 210 mm
- Sensor can be installed colder or warmer than the valve
- Sensors must be orientated as shown in the sketch on page 12
- Max. pressure on sensor 25 bar

Regulation range 0 → +30°C  
Max. sensor temperature +57°C

Connection	k <sub>v</sub> value (m <sup>3</sup> /h at Δp = 1 bar)	Capillary tube length [m]	Type	Code no. <sup>1)</sup>
G 3/4 A	1.9	2	AVTA 15	<b>Option</b>
G 1 A	3.4		AVTA 20	<b>Option</b>
G 1 1/4 A	5.5		AVTA 25	<b>Option</b>

Regulation range +25 → +65°C  
Max. sensor temperature +90°C

Connection	k <sub>v</sub> value (m <sup>3</sup> /h at Δp = 1 bar)	Capillary tube length [m]	Type	Code no. <sup>1)</sup>
G 3/4 A	1.9	2	AVTA 15	<b>Option</b>
G 1 A	3.4		AVTA 20	<b>Option</b>
G 1 1/4 A	5.5		AVTA 25	<b>Option</b>

Regulation range +50 → +90°C  
Max. sensor temperature +125°C

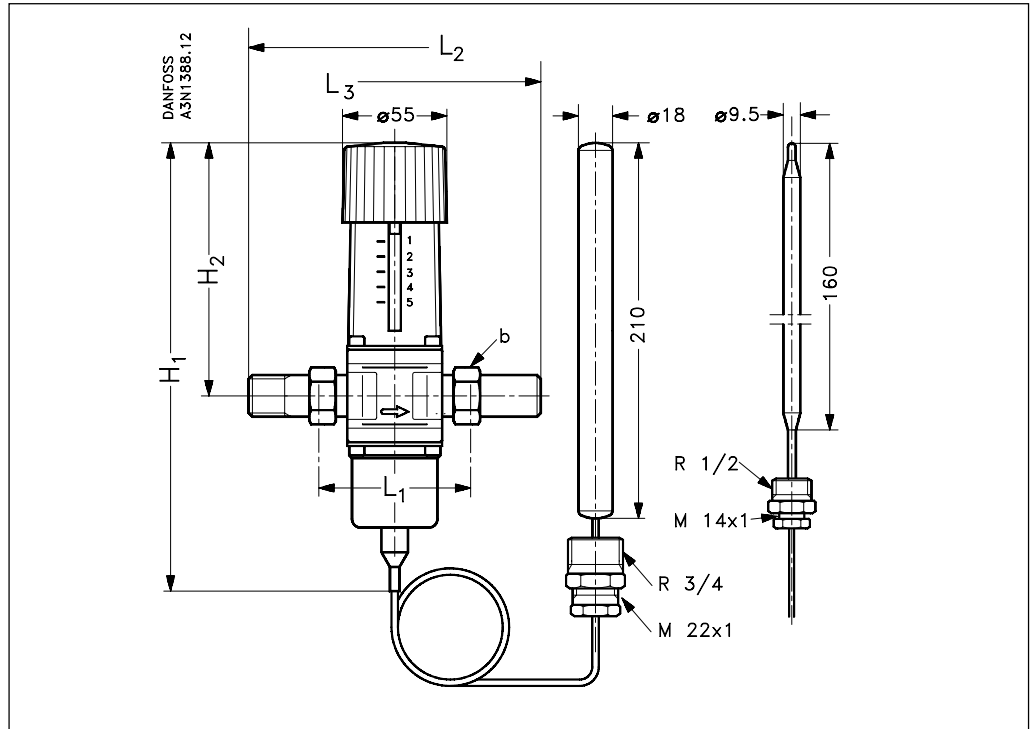
Connection	k <sub>v</sub> value (m <sup>3</sup> /h at Δp = 1 bar)	Capillary tube length [m]	Type	Code no. <sup>1)</sup>
G 3/4 A	1.9	2	AVTA 15	<b>Option</b>
G 1 A	3.4		AVTA 20	<b>Option</b>
G 1 A	5.5		AVTA 25	<b>Option</b>

<sup>1)</sup> Code no. covers complete valve incl. capillary tube gland.



Type AVTA

Dimensions  
AVTA DZR



Type	H <sub>1</sub> [mm]	H <sub>2</sub> [mm]	L <sub>1</sub> (standard) [mm]	L <sub>2</sub> w. threaded conn. [mm]	L <sub>3</sub> w. weld conn. [mm]	b ISO 228/1
AVTA 15	217	133	75	141	149	G 3/4 A
AVTA 20	217	133	80	152	164	G 1 A
AVTA 25	227	138	83	167	167	G 1 1/4 A

Type AVTA

Application



**AVTA SS  
for aggressive media**

A valve body in stainless steel means that the valve can be used for aggressive media in such applications as the marine sector and the chemical industry.

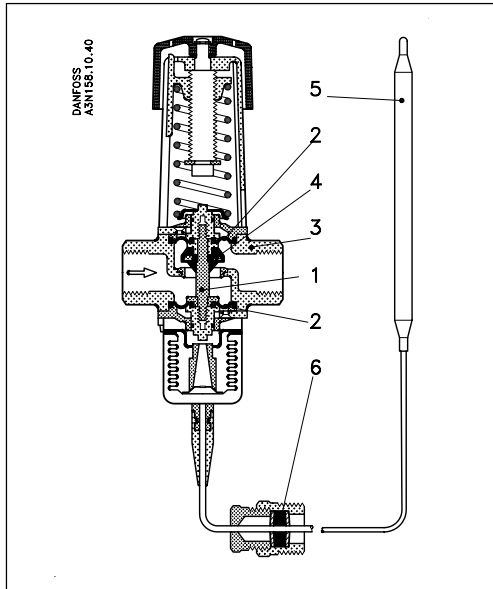
Pressure stage PN 16; max. +130°C.

For extremely aggressive media the valve can be supplied in titanium (please contact Danfoss).

AVTA SS valves have an adsorption charge as standard.

AVTA SS can also be supplied with mass charge or universal charge (please contact Danfoss).

Specifications and product overview



- Opens on rising sensor temperature
- Media temperature -25 → +130°C
- Differential pressure 0 → 10 bar
- Max. test pressure 25 bar
- Max. pressure on sensor 25 bar
- Valves are pressure-relieved, i.e. the degree of opening is not affected by differential pressure  $\Delta p$  (pressure drop).

*Materials - parts in contact with the medium*

No.	Description	Material
1	Spindle	Stainless steel W.no. 1.4539 (EN10088); UNS N 08904
2	Diaphragms	Rubber - ethylene - propylene (EPDM)
3	Valve body	Stainless steel W.no. 1.4581 (EN10214-4); AISI 318
4	Valve cone	Nitrile rubber (NBR)
5	Sensor	Copper (DIN 1787) W.no. 2.0090
6	Capillary tube gland	Nitrile rubber (NBR), brass (DIN 17660) W.no. 2.0321 and W.no. 2.0401

Type AVTA

Ordering  
AVTA with adsorption  
charge

The charge consists of active carbon and CO<sub>2</sub> which is adsorbed on falling sensor temperature and thereby produce pressure changes in the element.

Special characteristics

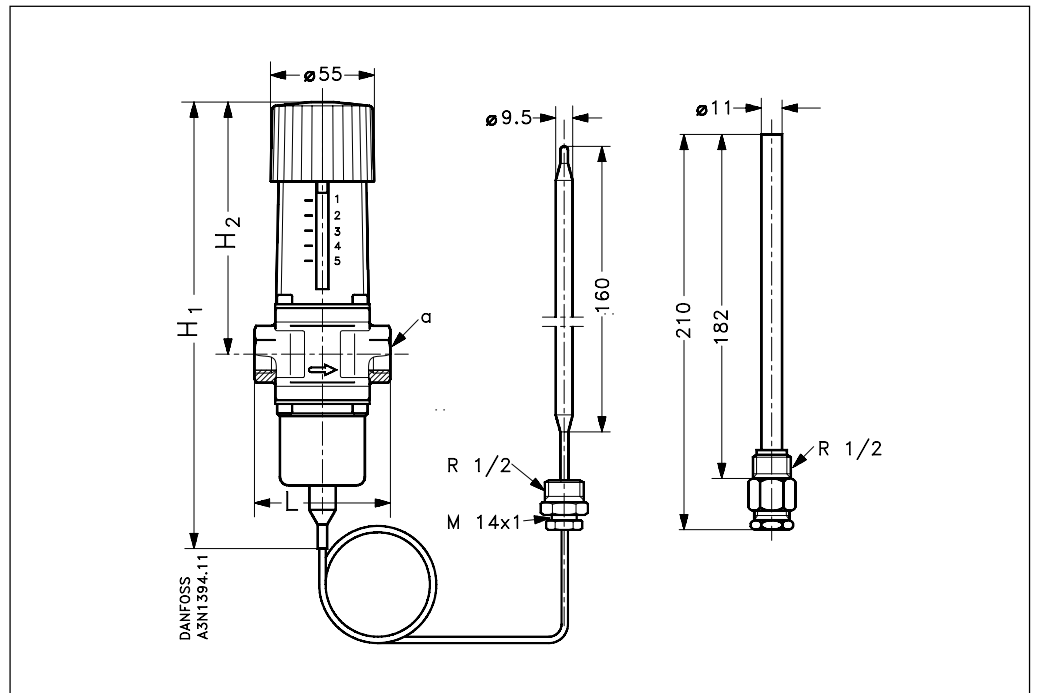
- Wide regulating range
- Can be installed in any position as far as orientation and temperature are concerned
- Withstands up to +130°C sensor temperature
- Small sensor dimensions - Ø 9.5 × 160 mm
- Max. pressure on sensor 25 bar

Connection	Regulation-range	k <sub>v</sub> value (m <sup>3</sup> /h at Δp = 1 bar)	Capillar-tube length [m]	Type	Code no. <sup>1)</sup>
G 1/2	+10 → +80°C	1.9	2.3	AVTA 15	003N2150
G 3/4		3.4		AVTA 20	003N3150
G 1		5.5		AVTA 25	003N4150

<sup>1)</sup> Code no. covers complete valve incl. capillary tube gland.

Immersion sensors, see "Spare parts and accessories", page 13

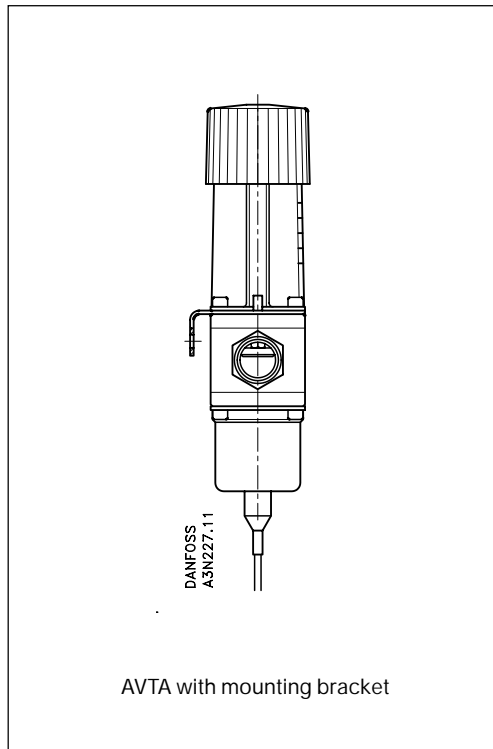
Dimensions  
AVTA SS



Type	H <sub>1</sub> [mm]	H <sub>2</sub> [mm]	L [mm]	a ISO 228/1
AVTA 15	240	133	72	G 1/2
AVTA 20	240	133	90	G 3/4
AVTA 25	250	138	95	G 1

Type AVTA

Installation



The valves can be installed in any position. An arrow on the valve body indicates the direction of flow. AVTA valves are also marked so that the letters RA can be read straightforwardly when the valve is held as shown. The installation of an FV filter ahead of the valve is recommended - see separate data sheet DKACV.PD.600.B.

**Capillary tube**  
Install the capillary tube without sharp bends (no "kinks"). Relieve the capillary tube at the ends. Relief is important where vibration might occur.

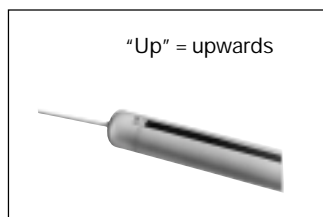
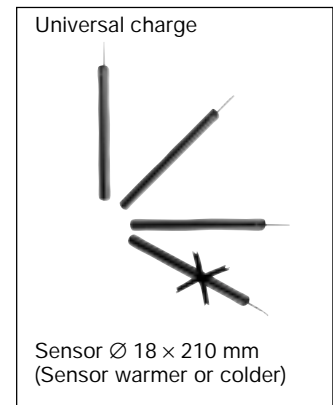
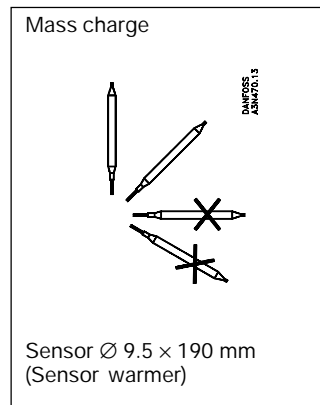
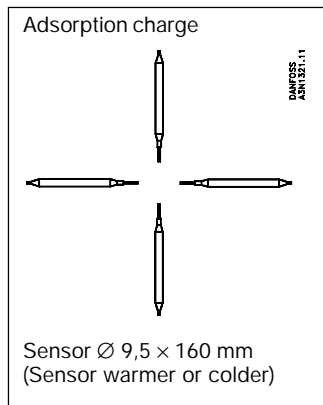
**Note**  
Where AVTA is used, the sensor must be able to react to variations in cooling water temperature on system start. Therefore a bypass line with a shut-off valve might be necessary to ensure flow at the sensor during start-up.

If a mounting bracket is used - see "Spare parts and accessories", page 13 - it must always be between valve body and setting section (see illustration).

Sensor installation

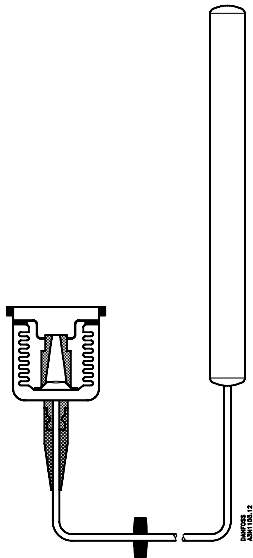
If an immersion sensor is installed, the use of heat-conductive compound is recommended. This will reduce reaction time. See "Spare parts and accessories", page 13.

AVTA with small sensor ( $\varnothing 9.5 \times 190$  mm) must always be installed in the flow line, where the regulated liquid is coldest ("sensor warmer").



Type AVTA

Spare parts and accessories



Service elements for AVTA

	Temperatur range [°C]	Capillary tube length [m]	Code no.
Adsorption charge - sensor Ø 9.5 × 160 mm	+10 → +80	2.3	003N0278
Universal charge - sensor Ø 18 × 210 mm	0 → +30	2	003N0075
		5	003N0077
	+25 → +65	2	003N0078
		5	003N0080
		2 (armoured)	003N0063
	+50 → +90	3	003N0079
2		003N0062	
Mass charge - sensor Ø 9.5 × 190 mm	0 → +30	3	003N0089
		2	003N0066
	+25 → +65	2	003N0091
		5	003N0068

Accessories

	Designation	Description	Code no.
	Immersion sensor max. pressure 25 bar L = 220 mm	Brass for Ø 18 sensor G 3/4	003N0050
		Brass for Ø 18 mm sensor 3/4 - 14 NPT	003N0051
		18/8 steel <sup>1)</sup> for Ø 18 sensor G 3/4	003N0192
	Immersion sensor max. pressure 25 bar L = 182 mm	Brass for Ø 9.5 sensor G 1/2	017-4367
		18/8 steel <sup>1)</sup> for Ø 9.5 sensor G 1/2	003N0196
	Mounting bracket	For AVTA	003N0388
	Heat-conductive compound	5 gram tube	041E0110
		0.8 kg	041E0111
	1 nitrile diaphragm for mineral oil	For AVTA 10/15 For AVTA 20 For AVTA 25	003N0445 003N0446 003N0447
	Capillary tube gland	G 1/2 G 3/4 3/4 - 14 NPT	017-4220 003N0155 003N0056
	2 o-rings 2 diaphragms Valve cone	For AVTA 10/15 For AVTA 20 For AVTA 25	003N400600 003N400700 003N400800

<sup>1)</sup> W1.4301

Accessories for AVTA, DZR version

Threaded connectors

Contents of set	DN	Code no.
2 Unions, 2 nipples and 2 seals	15	003N5070
	20	003N5071
	25	003N5072

Weld connectors

Contents of set	DN	Code no.
2 Unions, 2 nipples and 2 seals	15	003N5090
	20	003N5091
	25	003N5092

Type AVTA

Sizing

When sizing and selecting thermostatic valves, it is most important to ensure that the valve is able to give the necessary quantity of cooling water at any time, irrespective of the load. Therefore, to select a suitable size of valve it is necessary to know the precise amount of cooling required. On the other hand, to avoid the risk of unstable regulation (hunting), the valve should not be oversized. The type of charge must be selected on the basis of the temperature to be maintained, and on an assessment of the characteristics of each type, as described in the foregoing.

In general the aim should be to select the smallest valve capable of giving the required flow.

It is also recommended that the temperature range be chosen so that the required sensor temperature lies in the middle of the regulation range.

To help fine-setting the valve, a thermometer should be installed near the sensor.

Valve size

The following data are used when selecting valve size:

- Required cooling water flow,  $Q$  [m<sup>3</sup>/h]
- Temperature rise in cooling water,  $[\Delta t]$  (°C)
- Differential pressure across valve,  $[\Delta p]$  (bar).

With fully open valve the differential pressure should be around 50% of the total pressure drop across the cooling system.

The diagrams on page 15 are intended to make valve sizing easier.

Fig. 1 - Relation between heat quantity [kW] and cooling water quantity

Fig. 2 - Graphs of  $k_v$  values

Fig. 3 - Valve operating range

Fig. 4 - Flow quantities as a function of pressure drop  $[\Delta p]$

Example

A cooling water valve must be selected for the temperature regulation of a vacuum pump.

Since direct regulation of the oil temperature is required, an AVTA valve is suitable. The sensor position is horizontal - and small dimensions are desired.

Given data:

- Necessary cooling at full load 10 kW.
- Oil temperature to be maintained constant at +45°C
- Cooling water  $p_1 = 3$  bar
- Outlet  $p_3 = 0$  bar
- Cooling water temperature  $t_1 = +20^\circ\text{C}$
- Outlet temperature  $t_2 = +30^\circ\text{C}$

1. The graphs in fig. 1 can be used to find the necessary cooling water quantity at  $\Delta t = 10^\circ\text{C}$  ( $+30^\circ\text{C} - +20^\circ\text{C}$ ) to 0.85 m<sup>3</sup>/h.

2. The graphs in fig. 2 show the necessary  $k_v$  value for 0.85 m<sup>3</sup>/h with

$$\Delta p = 1.5 \text{ bar} \left( \frac{3-0}{2} \right) \text{ for } 0.7 \text{ m}^3/\text{h}.$$

3. The columns in fig. 3 show that all four AVTA valves can be used, but in practice an AVTA 10 or 15 should be selected.

The above considerations apply to both AVTA and FJVA valve types.

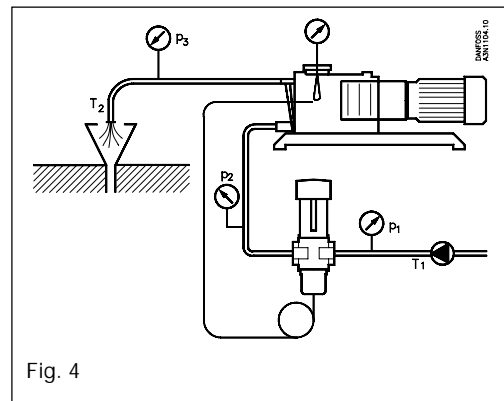


Fig. 4

Operating conditions and other product requirements in this example mean that a valve with adsorption charge is the correct choice. The temperature range  $+10 \rightarrow +80^\circ\text{C}$  is in order.

The table at the top of page 4 shows AVTA 10, code no. 003N1144, or AVTA 15, code no. 003N0107. Both fulfil the requirements named.

In many applications, installation conditions make the use of sensor pockets advisable.

“Accessories” on page 13 gives the code nos. for sensor pockets for  $\varnothing 9.5$  mm sensors in brass and stainless steel: 993N3569 and 003N0196, respectively.

Type AVTA

Sizing

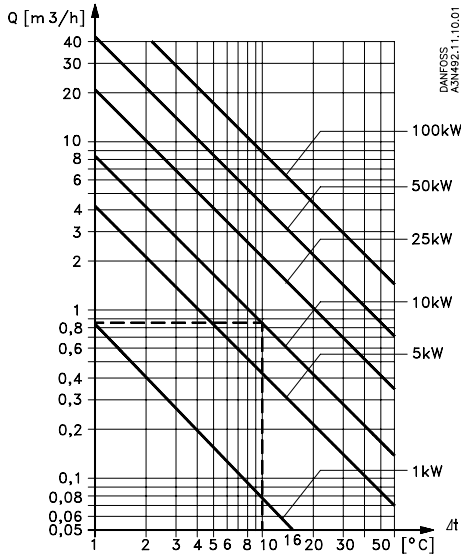


Fig. 1 Heating or cooling with water.  
Example: Necessary cooling output 10 kW, with  $\Delta t = 10\text{ }^\circ\text{C}$ .  
Required flow 0.85 m<sup>3</sup>/h.

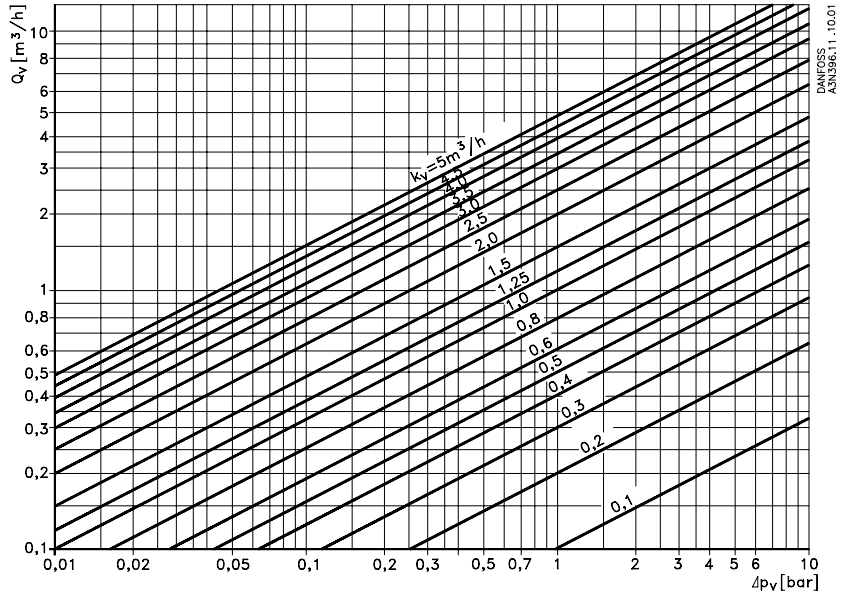


Fig. 2 Relation between water quantity and pressure drop across valve.  
Example: Flow 0.85 m<sup>3</sup>/h with a pressure drop of 1.5 bar.  
The  $k_v$  value becomes 0.7 m<sup>3</sup>/h.

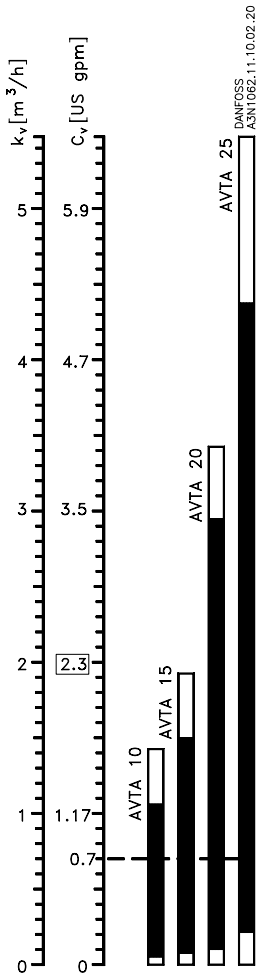


Fig. 3 Nomogram showing the valve  $k_v$  ranges.  $k_v$  values are always given for the water flow in m<sup>3</sup>/h with a pressure drop  $D_p$  of 1 bar. The valve should be selected so that the necessary  $k_v$  value lies in the middle of the regulation range.  
Example: AVTA 10 and 15 are the most suitable for a  $k_v$  value of 0.7.

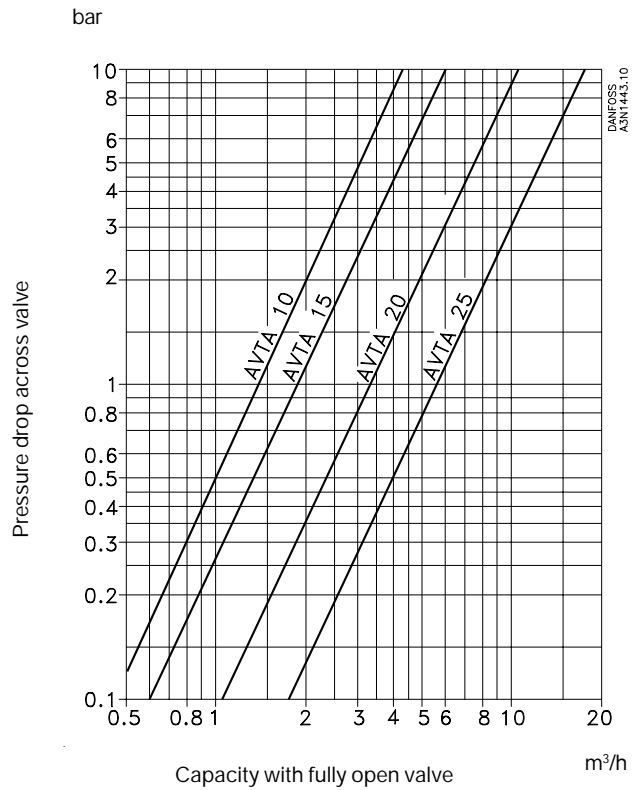


Fig. 4 Valve flow quantity in fully open position, as a function of pressure drop  $D_p$ .

Type AVTA

---

Danfoss can accept no responsibility for possible errors in catalogues, brochures and other printed material. Danfoss reserves the right to alter its products without notice. This also applies to products already on order provided that such alterations can be made without subsequential changes being necessary in specifications already agreed. All trademarks in this material are property of the respective companies. Danfoss and the Danfoss logotype are trademarks of Danfoss A/S. All rights reserved.

---