



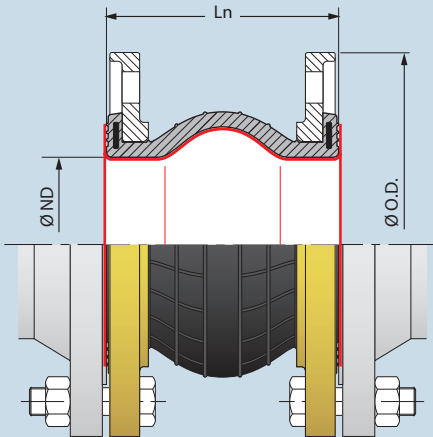
Inner lining grade

F1
White label



PTFE liner

Permissible temperature:
-35 °C up to +110 °C



Example of Label



DILATOFLEX® K

P.E.D. 97/23/CE

AUTOSTABLE

F1 grade

DIMENSIONAL DATA					TECHNICAL DATA								
Nominal Diameter	NPS	Nominal length (L _n in mm)	Drilling standards (1)			Max. permissible pressure	Vacuum	Max. Permissible Movements (maximum values do not apply simultaneously)				L _q in mm	Approx. weight in kg (steel flanges PN10 / PN16)
			PN 10	PN 16	class 150 (PN 20)			Axial	Lateral	Angular	... AUTOSTABLE ... at its equilibrium length		
ND mm	NPS inch							Compression L _n - L _c mm	Elongation L _e - L _n mm	Shearing R mm	angle α° degree		
32	1 1/4	130	X	-		6		10	10	8	10	130	3.0
40	1 1/2	130	X	X		6		10	10	8	10	130	3.4
50	2	130	X	X		6		10	10	8	10	130	4.0
65	2 1/2	130	X	X		6		10	10	8	10	130	4.7
80	3	130	X	X		6		10	10	8	9	130	5.0
100	4	130	X	X		6		10	10	8	7	135	6.2
125	5	130	X	X		6		10	15	8	7	140	7.7
150	6	130	X	X		6		10	15	8	5	140	10.0
200	8	130	X	X	X	6		10	20	8	5	145	12.2
250	10	130	X	X	X	6		10	25	8	4	150	16.7
300	12	130	X	X	X	6		10	30	8	4	155	20.0

(1) Other drillings available (e.g. PN6, PN25, BS 10D-E...) ..

Floating flanges in zinc-chromated, hot dip galvanized or stainless (304L or 316L) steel

Technical Sheet

AI-TS- 003/6 from 2011 - 12 - 02

We reserve the right to change our products' specifications when necessary without notice.