

DILATOFLEX® K

AUTOSTABLE

P.E.D. 97/23/CE Cat. III



CC
Green label

GZ
Orange label

EPC
Cream label

Inner
lining
grades

YP
Yellow label

AR / CN
Red label

DW
étiquette bleue

AB
Grey label



TE
Mauve label

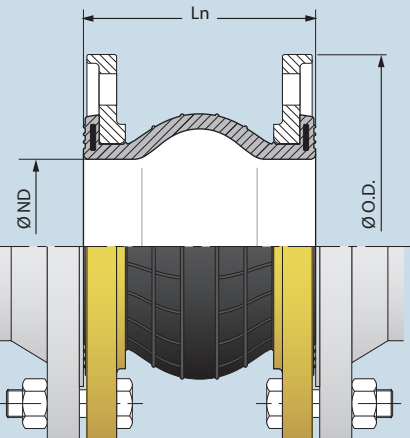
F1

White label



PTFE liner

* see separate technical sheet



Example of Label



DIMENSIONAL DATA					TECHNICAL DATA									
Nominal Diameter	NPS	Nominal length (Ln in mm)	Drilling standards (1)			Max. permissible pressure (2) (3)		Steel ring required for vacuum greater than ...%	Max. Permissible Movements (maximum values do not apply simultaneously)				... AUTOSTABLE ... at its equilibrium length (Lq in mm)	Approx. weight in kg (steel flanges PN10 / PN16)
			PN 10	PN 16	class 150 (PN 20)	T ≤ 100 °C	T > 100 °C		Axial	Lateral	Angular			
ND mm								Ln - Lc mm	Le - Ln mm	R mm	α° degree			
32	1 1/4	130	X		-	16	10	-	25	10	15	20	130	3.0
40	1 1/2	130	X		X	16	10	-	25	10	15	20	130	3.4
50	2	130	X		X	16	10	30 %	25	10	15	20	130	4.0
65	2 1/2	130	X		X	16	10	30 %	25	10	15	20	130	4.7
80	3	130	X		X	16	10	30 %	25	10	15	17	130	5.0
100	4	130	X		X	16	10	30 %	25	10	15	14	135	6.2
125	5	130	X		X	16	10	30 %	25	15	15	14	140	7.7
150	6	130		X	X	16	10	30 %	20	15	15	10	140	10.0
200	8	130	X	X	X	16	10	30 %	20	20	15	10	145	12.2
250	10	130		X	X	16	10	30 %	15	25	15	8	150	16.7
300	12	130	X	X	X	16	10	30 %	15	30	15	7	155	20.0

(1) Other drillings available (e.g. PN 6, PN 25, BS 10D-E...)

Floating flanges in zinc-chromated, hot dip galvanized or stainless (304L or 316L) steel

(2) Particular cases:

DW grade: W.P. 16 bar at 105°C max.

CC grade: W.P. 10 bar at 110°C max. and W.P. 16 bar at 90°C max.

(3) Limited to the nominal pressure of the drilling standard being used

Technical Sheet

AI-TS- 002/8 from 2013 - 02 - 02

We reserve the right to change our products' specifications when necessary without notice.